

**Product number C15800\_MOLLY-S**

Family Molly  
 Type Lens  
 LED CLL03x/CLU03x  
 Color Clear  
 Diameter 69.8 mm  
 Height 24.8 mm  
 Style Round  
 Optic Material PMMA  
 Holder Material -  
 Fastening ""  
 Status Production ready

FWHM 23 degrees  
 Efficiency 87 %  
 cd/lm 3.870  
 Gerber File Available

Socket/connector need to be ordered separately  
 Bender Wirth Typ L1 needs part  
 C13658\_CLAMP-VERO13-18

**Product number C15801\_MOLLY-M**

Family Molly  
 Type Lens  
 LED CLL03x/CLU03x  
 Color Clear  
 Diameter 69.8 mm  
 Height 23.6 mm  
 Style Round  
 Optic Material PMMA  
 Holder Material -  
 Fastening ""  
 Status Production ready

FWHM 36 degrees  
 Efficiency 89 %  
 cd/lm 2.060  
 Gerber File Available

Socket/connector need to be ordered separately  
 Bender Wirth Typ L1 needs part  
 C13658\_CLAMP-VERO13-18

**Product number C15802\_MOLLY-W**

Family Molly  
 Type Lens  
 LED CLL03x/CLU03x  
 Color Clear  
 Diameter 69.8 mm  
 Height 22.1 mm  
 Style Round  
 Optic Material PMMA  
 Holder Material -  
 Fastening ""  
 Status Production ready

FWHM 61 degrees  
 Efficiency 89 %  
 cd/lm 0.850  
 Gerber File Available

Socket/connector need to be ordered separately  
 Bender Wirth Typ L1 needs part  
 C13658\_CLAMP-VERO13-18

**NOTE: The typical divergence will be changed by different color, chip size and chip position tolerance. The typical total divergence is the full angle measured where the luminous intensity is half of the peak value.**



## PRODUCT DATASHEET

### Molly series

last update 10/8/2017

#### GENERAL INFORMATION

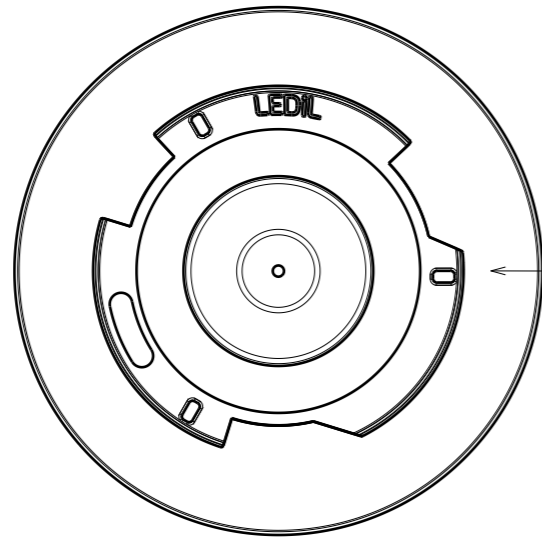
- Product series especially designed & optimized for CLL03x/CLU03x series of LEDs.
- Special care taken to make light distribution as uniform as possible.
- Lens material optical grade PMMA with high UV and temperature resistance. Allows use of high current and temperature conditions.

Please find more information about used material from below:

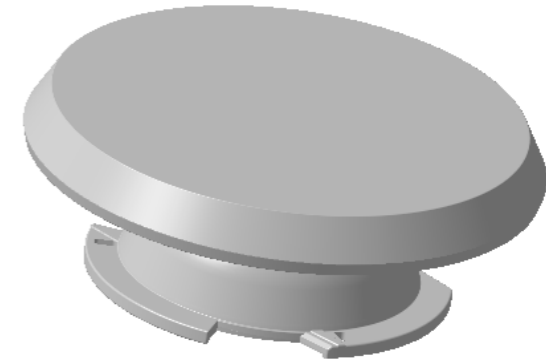
[http://ledil.fi/sites/default/files/Documents/Technical/Material/PMMA%20N%20UL94\\_Yellow%20Card.pdf](http://ledil.fi/sites/default/files/Documents/Technical/Material/PMMA%20N%20UL94_Yellow%20Card.pdf)

<http://ledil.fi/sites/default/files/Documents/Technical/Material/PMMA%20N%20PLEXIGLAS-Datasheet.pdf>

Bottom view  
Scale: 1:1

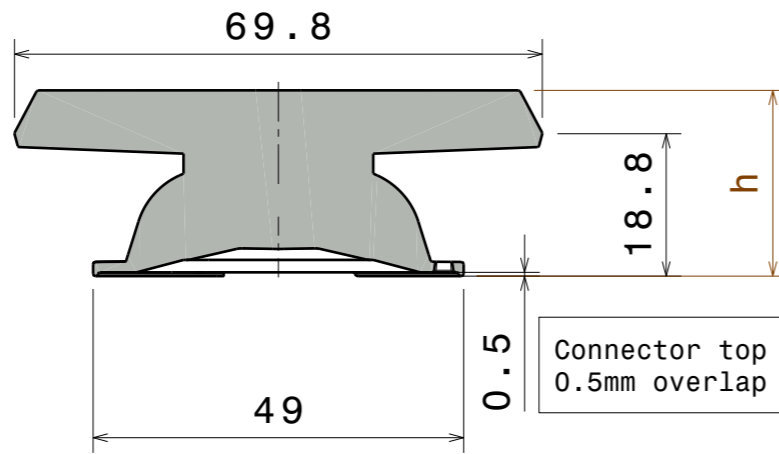


Direct bayonet fit to standard 3-hook connector designs

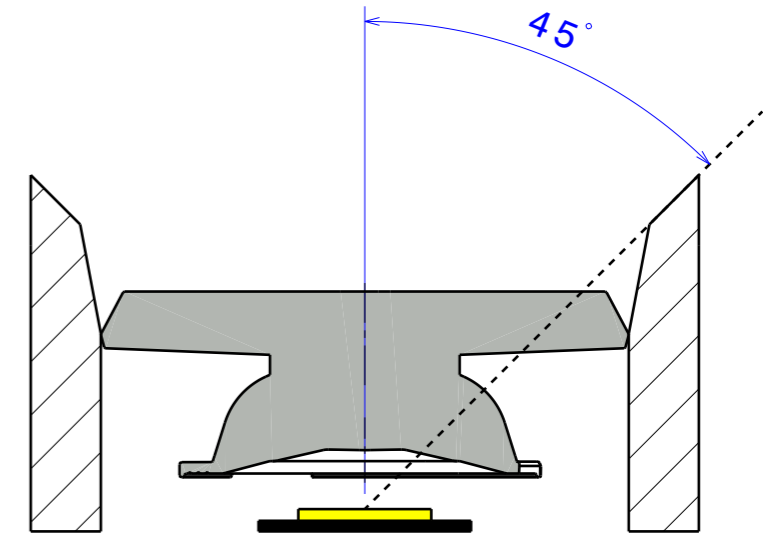


Isometric view  
Scale: 1:1

Section view A-A  
Scale: 1:1

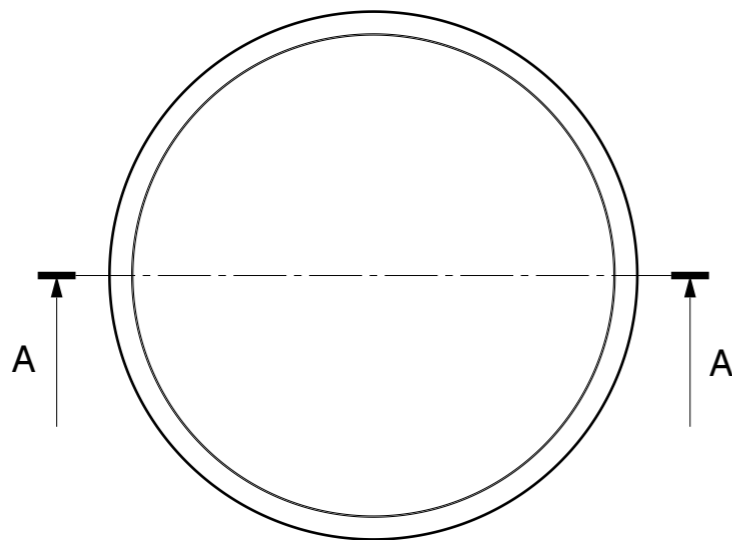


Connector top edges 0.5mm overlap with optic



Typical recessed mounting

Top view  
Scale: 1:1



Part no. h

C15800_MOLLY-S	24.8
C15801_MOLLY-M	23.6
C15802_MOLLY-W	22.1

INDEX	PART NO	DESCRIPTION	MATERIAL	COLOUR
1	C15800 C15801 C15802	MOLLY	PMMA	Clear

Tolerances if not otherwise shown  
According to DIN ISO 2768-1  
Linear measures:  
Up to 30mm class F<sub>M</sub>, otherwise see class M.  
According to DIN ISO 2768-2  
Form and position: class K  
Control for SPC marked dimensions.



Ledil Oy  
Salorankatu 10  
FIN 24240 SALO  
Finland

THIRD ANGLE PROJECTION:

DRAWING TITLE

MOLLY

This drawing is the property of LEDiL Oy. It may not be reproduced, copied or communicated without a written agreement with LEDiL Oy.

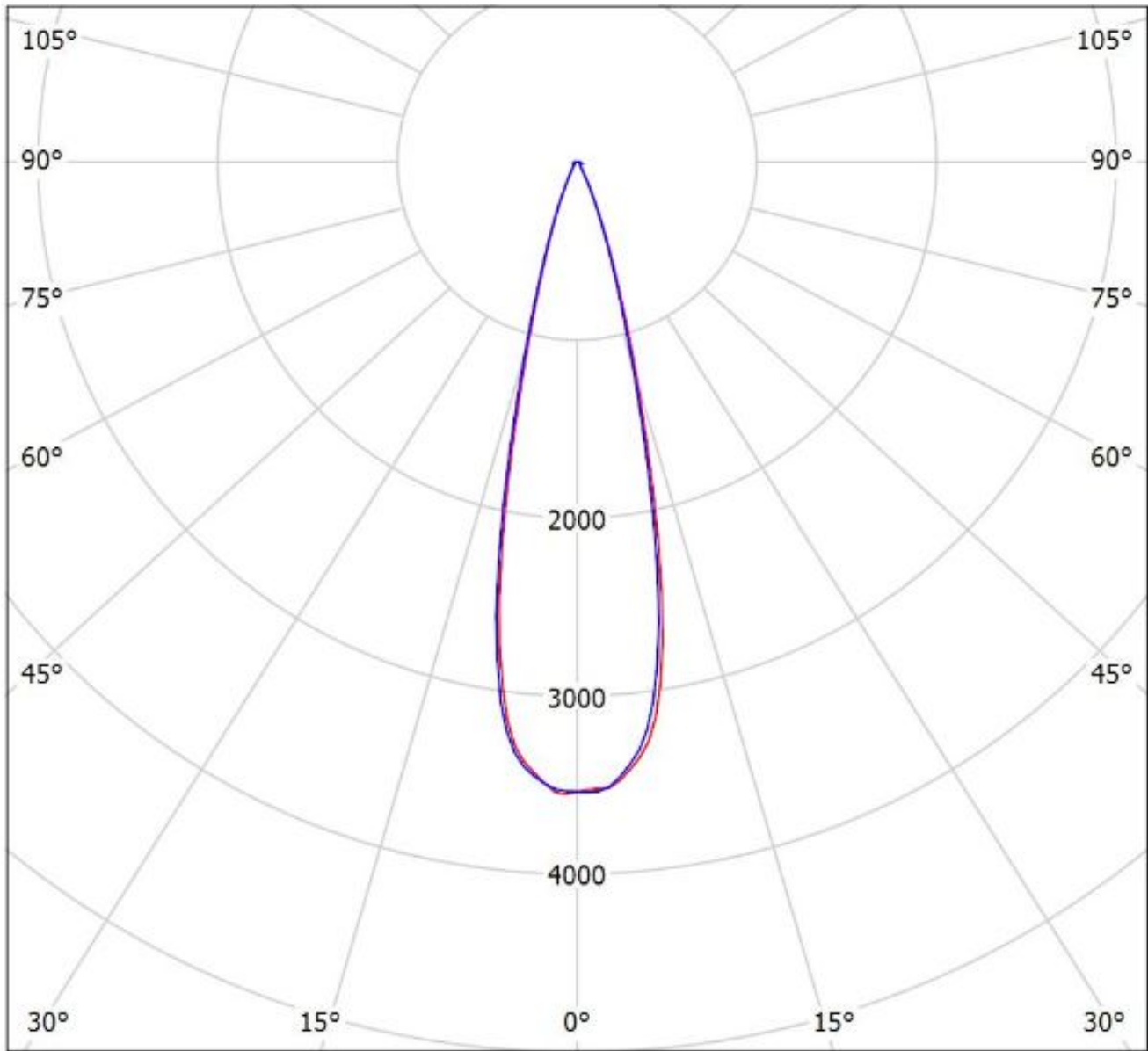
SIZE PART NUMBER

A3 C15800\_ C15801, C15802

SCALE 1:1 WEIGHT - g SHEET 1/1

Luminaire: Ledil CN15803\_MOLLY-S\_(CLU034)

Lamps: 1 x Citizen\_CLU034\_(CLU034-1205B8-303M1A2)\_1164.66lm@250mA\_P=8.5215W\_I=0.250A+KA15411



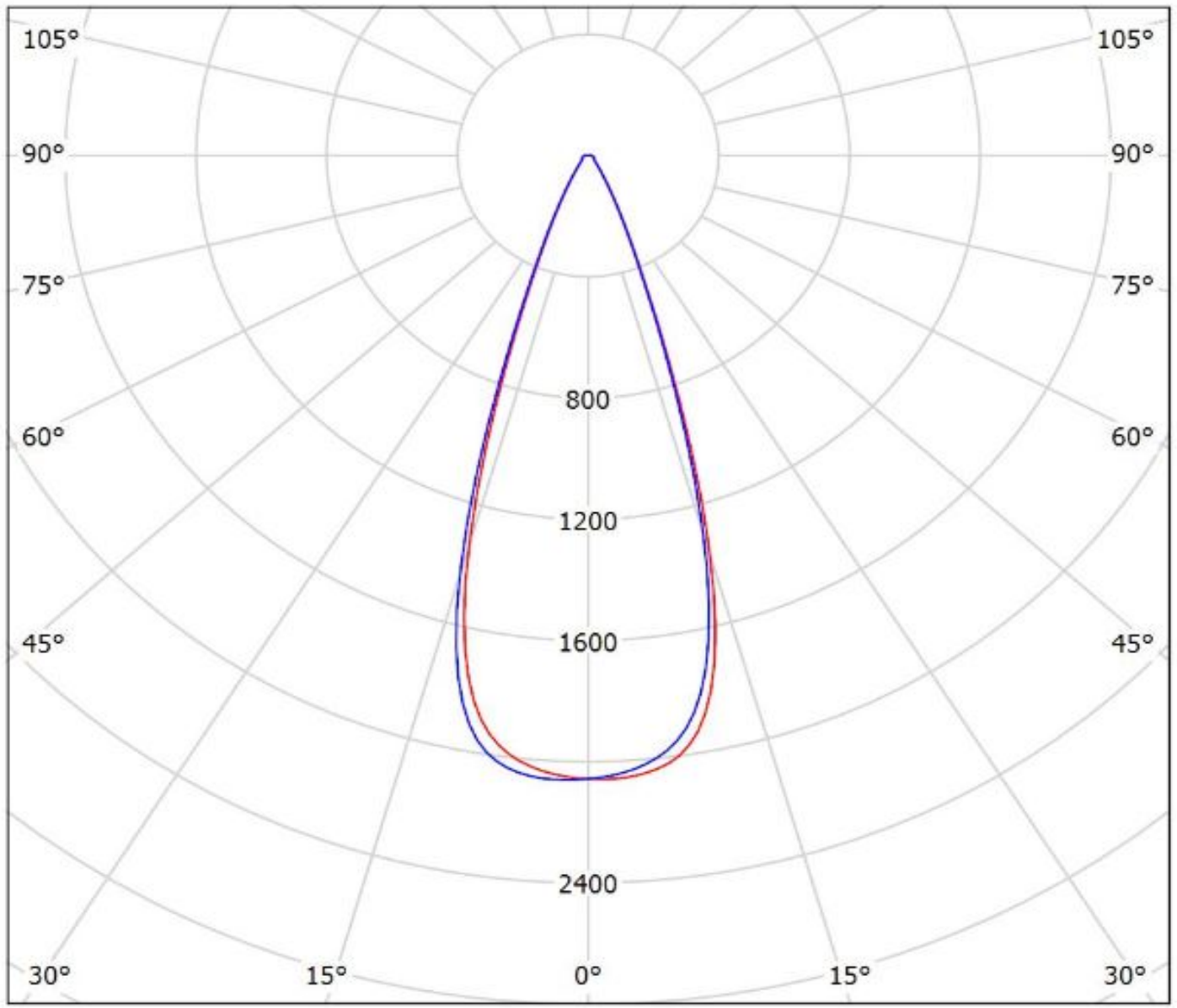
cd/klm

— C0 - C180 — C90 - C270

$\eta = 87\%$

Luminaire: LEDiL Oy CN15804\_MOLLY-M\_(CLU034)

Lamps: 1 x Citizen\_CLU034\_(CLU034-1205B8-303M1A2)\_1144.11lm@250mA\_P=8.46472W\_I=0.25A



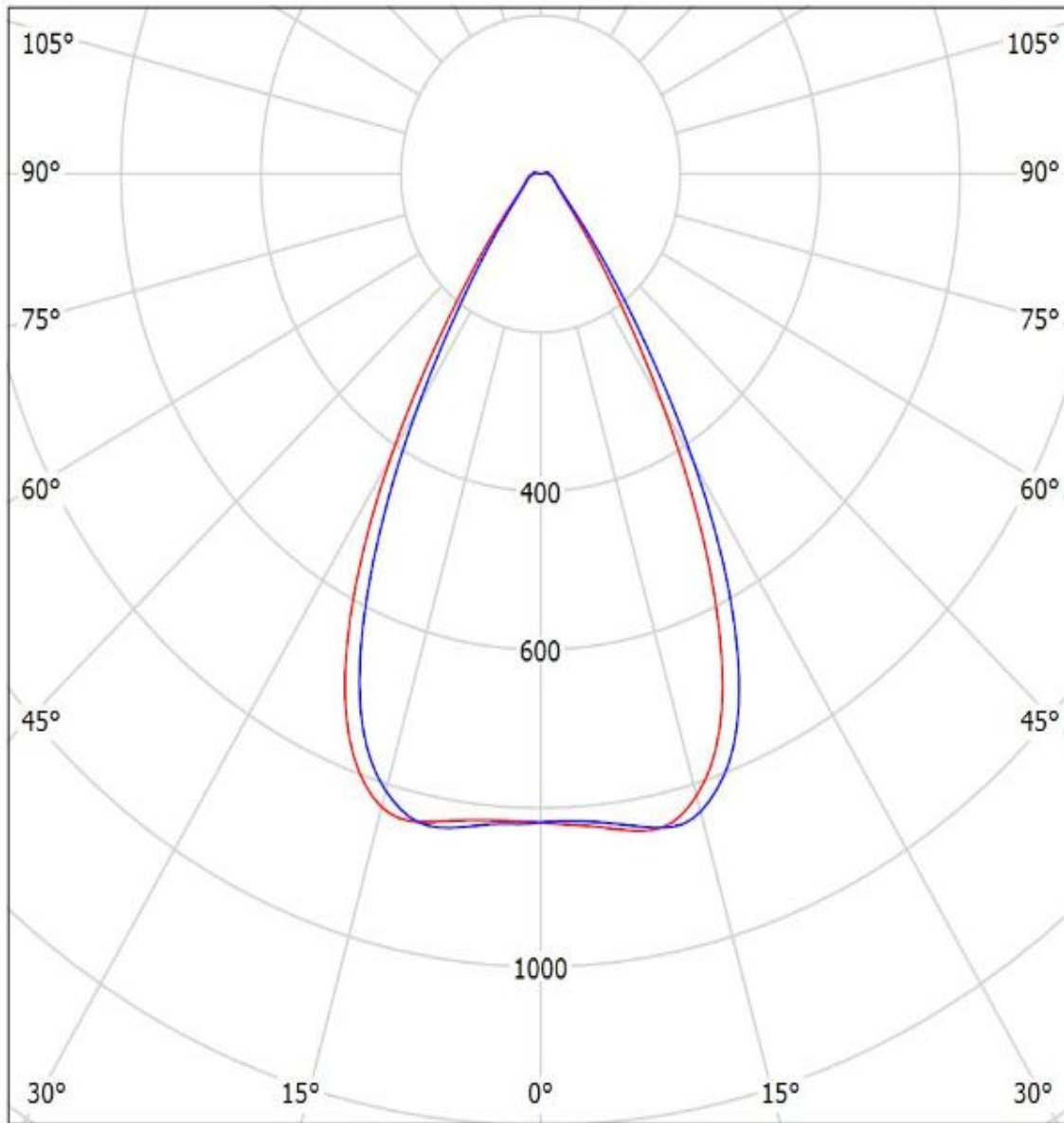
cd/klm

— C0 - C180    — C90 - C270

$\eta = 89\%$

Luminaire: LEDiL Oy CN15805\_MOLLY-W\_(CLU036)

Lamps: 1 x Citizen\_CLU036\_(CLU036-1208C1-303M2G2)+KA15411\_1247.79lm@250mA\_CCT=3000K\_P=8.21642W\_I=0.250A



cd/klm

— C0 - C180 — C90 - C270

$\eta = 89\%$